

WARRANTY & CARE

2 Year Shelter Guarantee

Please take time to read about the protection we offer you.

All our shelters come with a guarantee designed to protect you as our valued customer. Flow Imports Ltd., the makers of ZEMPIRE® Camping Equipment shelters, will repair or replace this shelter, at their discretion, should it fail due to faulty materials or manufacture for a period of 2 years from the date of sale.

The Guarantee is subject to the following conditions:

1. The Guarantee only applies to an original purchaser who purchased this shelter from an approved retail outlet.
2. The Guarantee does not apply if the shelter has been used for anything other than reasonable personal camping use. Commercial use (e.g. rental) or continuous use as a residence are expressly excluded.
3. Damage due to normal wear and tear, accident, acts of God, negligence (other than by Flow Imports Ltd.), failure by the purchaser to ensure instructions for setting up and care are observed, deterioration due to abnormal exposure to ultraviolet light, insect or mildew attack, or any other cause reasonably beyond the control of Flow Imports Ltd. are not covered.
4. If redress is sought under the terms of this Guarantee, then the shelter must be returned by the purchaser to the outlet from where it was purchased within the Guarantee period, in a clean, dry state and with proof of purchase.
5. All transport costs and any other indirect costs are excluded from the Guarantee.
6. Flow Imports Ltd. reserves the right to make a reasonable charge for repairs which it determines are not within the scope of the Guarantee.
7. The Guarantee does not limit, modify or exclude any rights under any law if doing so would contravene that law or make any part of this Guarantee invalid. However, Flow Imports Ltd.:
 - a) excludes (to the extent permitted by applicable law) all conditions and warranties that might otherwise be implied; and
 - b) limits its liability for breach of any such condition or Guarantee that it cannot exclude together with its liability under the Guarantee, to repairing or replacing the goods or paying the cost of having the goods repaired or replaced (at Flow Imports' option).

This shelter has been made with meticulous care and attention to detail. Providing it's properly looked after and correctly stored, it will help you enjoy all that nature has to offer for years to come.

Care Instructions

1. Ensure guy ropes are out at all times during use.
2. Never pack your shelter away wet. If you must take your shelter down when wet, ensure that it is dried completely as soon as possible to prevent mildew forming.
3. If mildew does form on your shelter, wash off with warm water and a soft brush to prevent further growth, do not use soap or detergents.
4. Do not use an open flame inside your shelter. The fabric has been treated with a fire retardant but is in no way fire-proof.
5. Clean all pegs and poles before storing.
6. This shelter is not designed to withstand storm conditions. During strong winds, it is recommended that the shelter be taken down.
7. Do not leave your shelter pitched unnecessarily for extended periods of time, UV light damages the fly and will shorten the life of your shelter.

Get out more – you owe it to yourself!

Zempire® CAMPING EQUIPMENT  **POCKET ROCKET** BATHROOM SERIES

PITCHING INSTRUCTIONS



Zempire®
CAMPING EQUIPMENT 

PITCHING INSTRUCTIONS

Test Run

Practice pitching your shelter at home to ensure you understand the process.

Pick A Site

When finding a site for your shelter, try to find an area that is sheltered, flat, and free from sharp objects. Try not to pitch your shelter under trees as falling branches can damage the shelter and falling sap can damage the fabric.

Unpacking

When you take your shelter out for the first time, take a moment to see how it is packed or take a photo on your phone. This will help you when it comes to packing your shelter away. Separate and identify the different parts. The package should include the following:

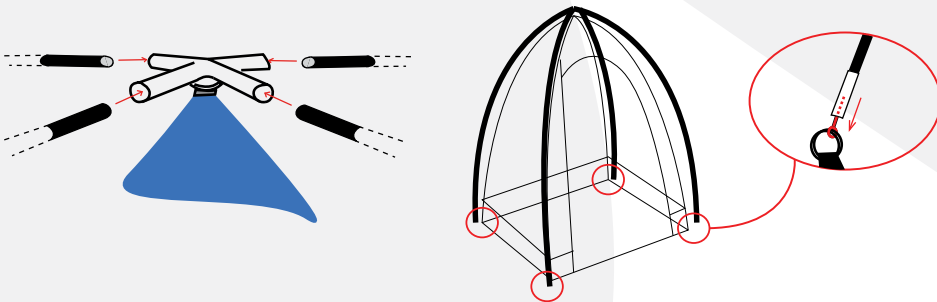
- Shelter Canopy
- 4x Fiberglass Poles
- Guy Ropes (Pre-attached)
- Pegs
- 2x Hanging Toiletries Holders
- Roof Vent Fly (Pre-attached)
- Pole Hub (Pre-attached)

1. Pole Setup

Assemble the 4 fiberglass poles. The sections are joined together with shock cord, so they just need slotting together. Ensure that the poles do not snap together. It is important that the poles are fully inserted into the ferrules. If not connected correctly, they can cause damage when tensioned.

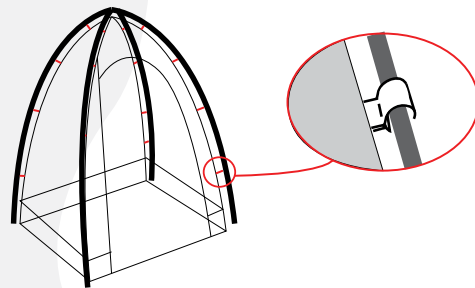
2. Insert the Poles

Insert a pole end without the steel ferrule into the 4 way pole hub attached to the top of the Pocket Rocket. Repeat with all 4 poles. Tension the poles and insert the ferrule ends into the pins located on the steel rings at the base of the Pocket Rocket.



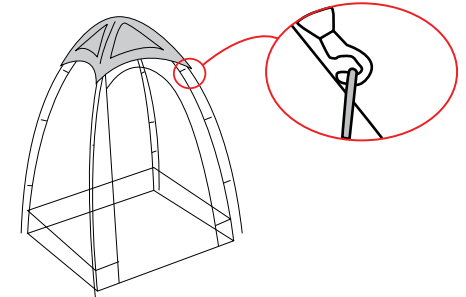
3. C Clips

Connect the C Clips sewn into the shelter around the corresponding pole. You may need to lay the shelter down to reach the top clips.



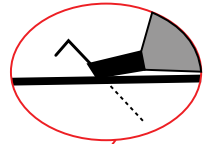
4. Vent Cover

Pull the vent cover over the top of the shelter and hook the loose corners to the loops sewn along the corresponding seam line.



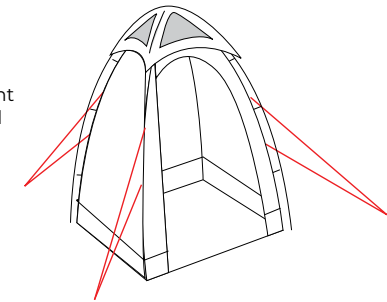
5. Pegging

Ensure the door is closed and peg out all peg points around the base of the shelter, starting with the corners. Make sure the poles are evenly spaced apart, and the shelter sits taut and square. Durable steel pegs are included with your shelter, which will be suitable for the majority of conditions. However, if you are in a rocky or loose sandy location it may pay to purchase more specialized pegs. A range of specialized ZEMPIRE® Pegs are available.



6. Guy Ropes

It is important that the guy ropes attached at each corner are used at all times. It is important not to over-tighten the guy ropes. They should sit taut but should not distort the shape of the shelter.



7. Busy Sign

Your Pocket Rocket features a clear PVC panel next to the door to display the attached "busy sign" to let other users know when the shelter is occupied. This can be displayed or removed using the Velcro tabs sewn along the top edge of the sign.

8. Internal Towel Curtain

Inside the shelter on the left wall is a waterproof panel covering a webbing hanging strap. This is used to keep a towel dry when using the shelter as a shower. To access/secure the towel curtain, feed the toggle and elastic loop through the corresponding plastic ring sewn into the corner seam.

9. Toiletries Holder

To attach the 2x floating toiletries shelves, feed the toggles attached to the top of the shelf through the plastic rings found along the webbing strap on the right wall of the shelter. This shelf is suitable for small toiletries and accessories but should not be overloaded with excessive weight.

UV Degradation

Shelter fabrics can be weakened by prolonged exposure to sunlight. Under normal holiday use, your ZEMPIRE® Shelter will give you many years of camping enjoyment. However, extended use in strong sunlight will cause degradation. It is recommended that during periods of strong sunlight a ZEMPIRE® Roof Cover is used to help protect from UV damage. UV degradation is not covered under warranty. The warranty does not cover permanent sites, displays or commercial use.

Please turn page for Care Instructions and Warranty.

For a detailed description of all the features and specifications of this product please visit our website.

WWW.ZEMPIRECAMPING.COM

Designed and tested in New Zealand. Made with care in China.